

Tisch Environmental, Inc.

**TE-8550
Sampl-Saver**

145 South Miami Avenue
Village of Cleves, OH 45002

Toll Free: TSP-AND-PM10
(877)263-7610

Direct: (513)467-900

Fax: (513)467-9009

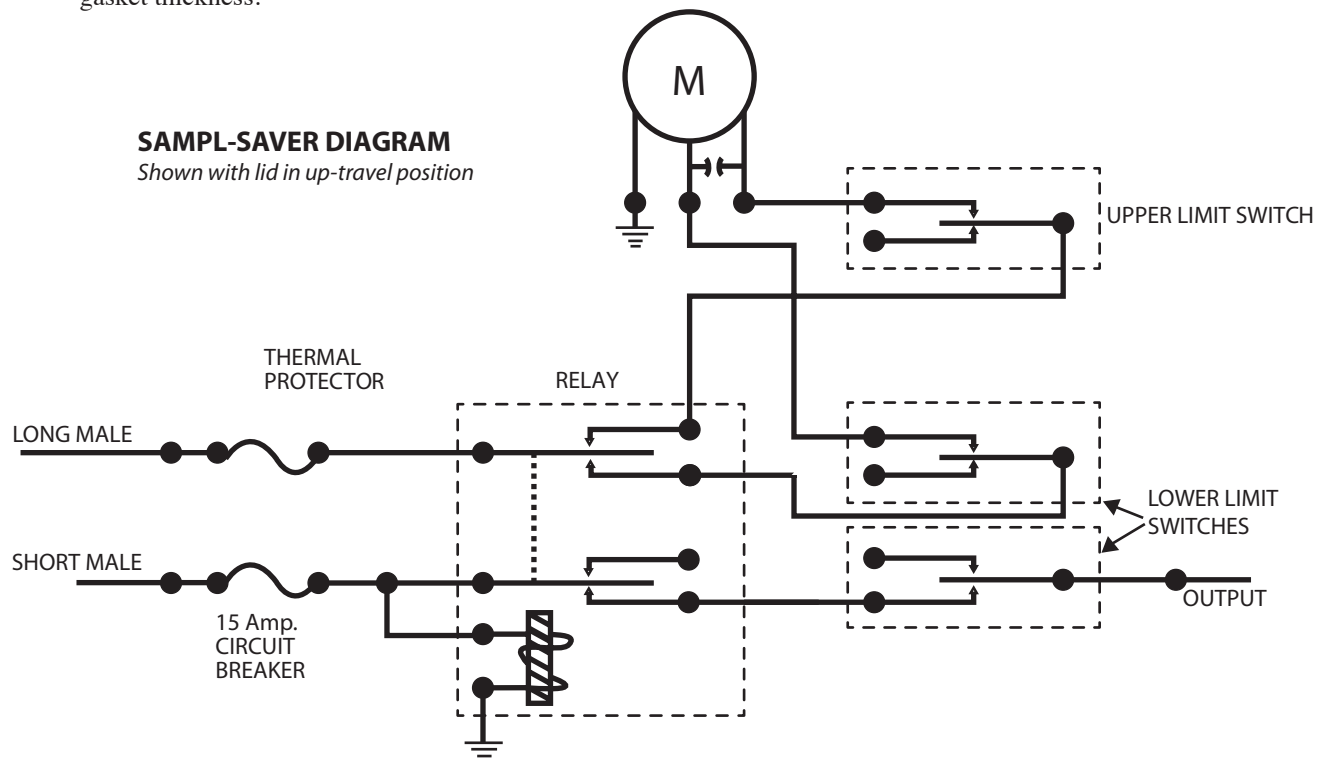
Website: www.tisch-env.com

Email: sales@tisch-env.com

Sampl-Saver

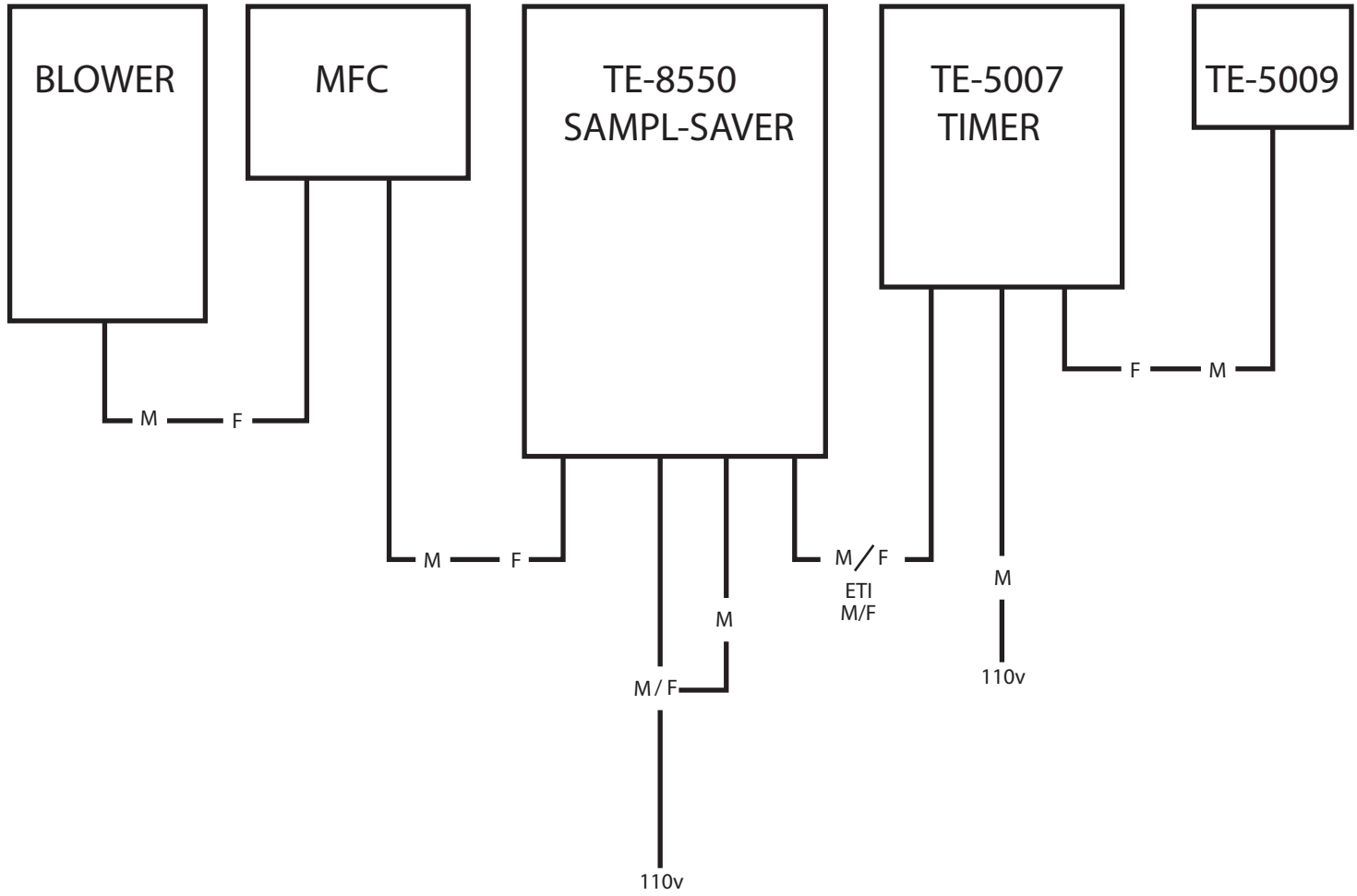
TE-8550

1. Install the TE-8550 Sampl-Saver in the aluminum shelter. First remove the sampler support pan. Then insert the Sampl-Saver making sure that the Sampl-Saver door slot is placed to the rear of the shelter near the hinges. Shelter lid hinge plates must be placed on the "OUTSIDE" of the shelter top. (See Shelter Assembly- Step 6 - Page 4)
2. Connect the Sampl-Saver female cord set to the blower motor.
CAUTION: If any transformers or flow controllers are used, they must be connected between this female cord set and blower/motor.
3. Connect the short male cord to the timer or if a timer is not used, connect to the power source.
4. Connect the long male cord set to any constant power source.
5. To raise lid, energize only long male cord set.
6. To lower lid, energize both long and short male cord sets.
7. The closed position (lid covering filter area) is factory adjusted to approximate the height of a filter holder (TE-5003) installed with a filter paper cartridge (TE-3000).
8. "Travel adjustment screw" is located in the rear left hand corner of the Sampl-Saver.
9. Turn the "Travel adjustment screw" clockwise for more "up-travel".
10. Turn the "Travel adjustment screw" counter-clockwise to limit the "up-travel".
CAUTION: To limit the up-travel, the lid must be retracted (lid moving down inside of Sampl-Saver). Then adjust the "Travel adjustment screw" counter-clockwise about 10 full turns. Recheck up-travel.
11. The closed position should be checked after every filter change because of wing nut pressure and/or difference in gasket thickness.

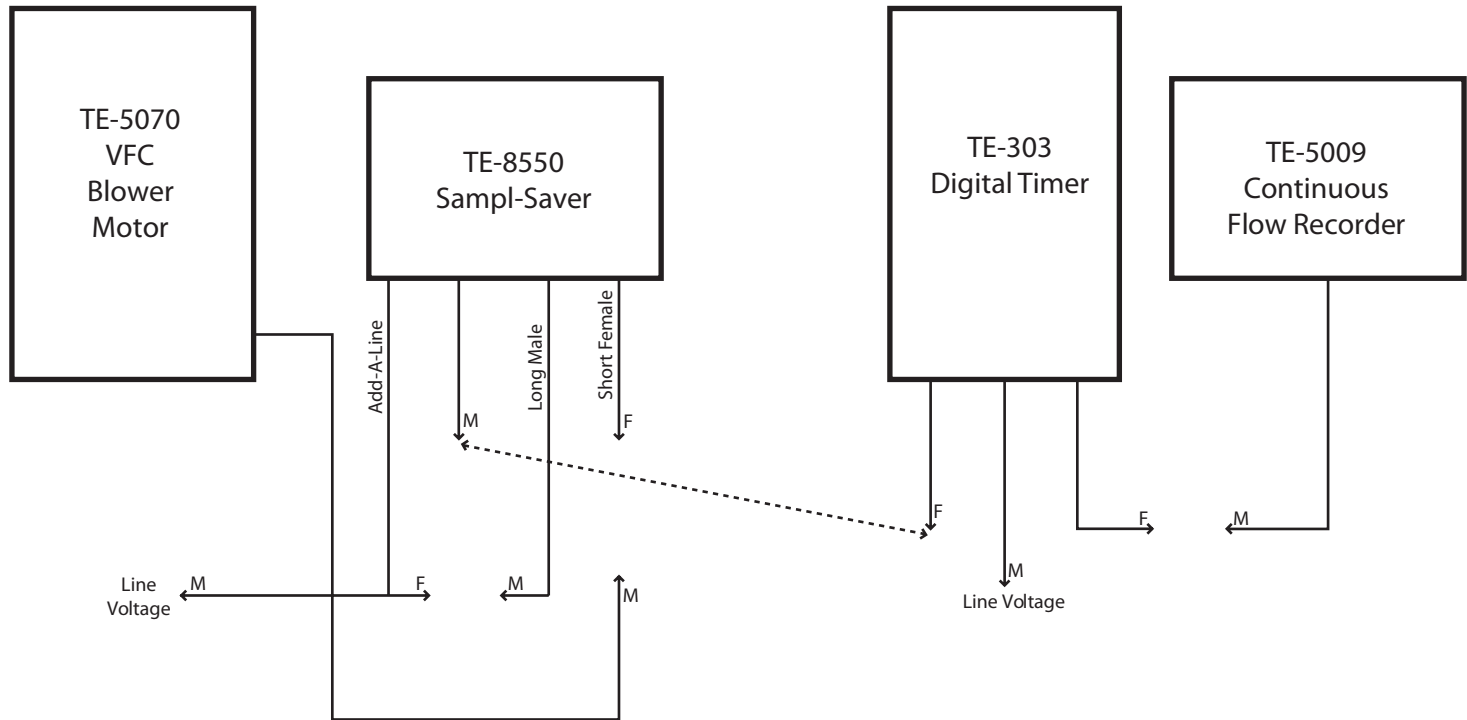


Electrical Hook-Up for TE-8550 Sampl-Saver

M = Male Plug
F = Female Plug
M/F = Special Male/Female Plug



Electrical Hook-Up for TE-8550 with TE-303 Digital Timer



The TE-5070 VFC Blower Motor male cord set plugs into the TE-8550 Sampl-Saver SHORT female cord set (4th cord).

The TE-8550 Sampl-Saver SHORT male cord set (2nd cord) plugs into the TE-303 Digital Timer timed female (left female).

The TE-8550 Sampl-Saver LONG male cord set (3rd cord) plugs into the TE-8550 Sampl-Saver LONG add-a-line cord set (1st cord). The two cords then get plugged into line voltage.

The other female cord set on the TE-303 Digital Timer (on the right) is hot all the time and plugs into the TE-5009 Continuous Flow Recorder male cord set.

The male cord set of TE-303 Digital Timer plugs into line voltage.